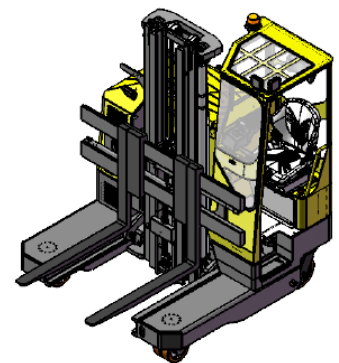
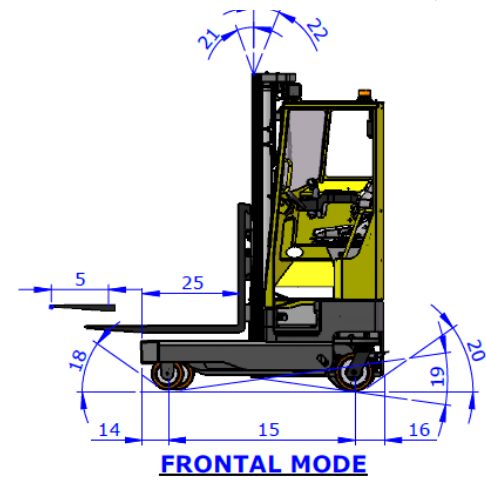
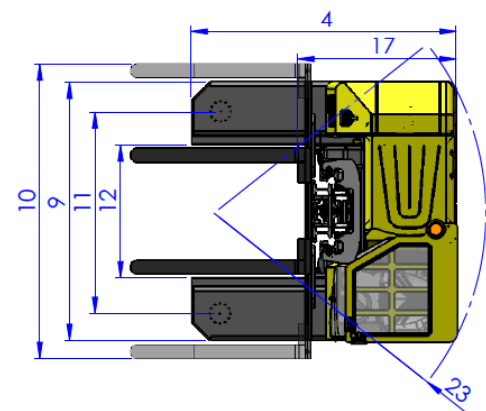
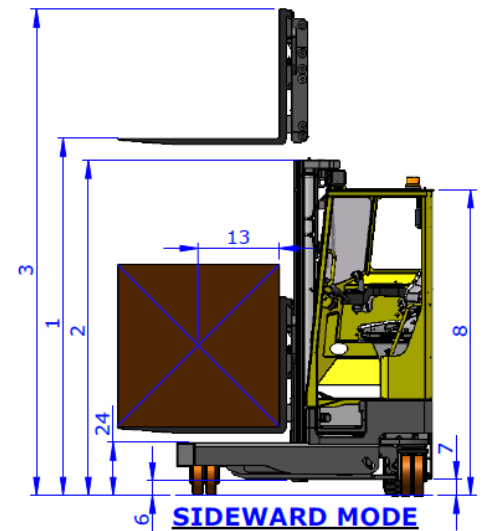


COMBILIFT – MODEL MR2 2500 -SPECIFICATION-

Ref.	Description	Standard	Optional
1a	Max. Lift Height	4040mm	5552mm
1b	Freelift Height	0mm	1480mm
2	Height Mast Closed	2670mm	2490mm
3	Max. (Mast raised)	4750mm	6520mm
4	Overall Length	1900mm	
5	Mast Travel	850mm	
6	Ground Clearance Under Mast	100mm	
7	Ground Clearance to Centre of Wheelbase	115mm	
8	Height Over Cab (Without work - lights)	2300mm	
9	Width	2090mm	
10	Width Across Forks	2950mm	
11	Track Front	1442mm	
12	Frame Opening	950mm	
13	Load Centre Distance	600mm	
14	Overhang Front	205mm	
15	Wheelbase	1467mm	
16	Overhang Back	228mm	
17	Length From Face of Fork	1100mm	
18	Approach Angle	35°	
19	Ramp Angle	15°	
20	Departure Angle	35°	
21	Forward Tilt	2°	
22	Backward Tilt	4°	
23	Minimum Outside Radius	1950mm	
24	Platform Height	409mm	
25	Platform Length	800mm	
A	Capacity	2500kg	
B	Unladen Weight	4950kg	
C	Maximum Ground Speed	10km/h	
D	Gradability	7%	
E	AC Rear Drives	2 x 6kW	
F	Battery	48V x 775Ah	
G	Fork Section	50mm x 100mm x 1150mm	
H	Solid Rubber Front Tyre	OD 305mm / Width 102mm	
I	Solid Rubber Rear Tyre	OD 413mm / Width 178mm	
J	Standard Colour	Yellow & Grey	
K	Seat	Grammer MSG65	



Features include

- Over-Head Guard
- AC Electric Steering
- Multi-Function Joystick
- Multi-Direction Operation
- AC Motor Technology
- Optional Hydraulic Fork Positioner



COMBILIFT LTD.
Co. Monaghan.
Ireland
Tel. +353 47 80500